

NURSE CALL MANUAL

EQUIPMENT

•

WIRING DIAGRAMS

INDEX

• Equipment	1
Installation & Operation	2 & 3
Mimic Panel in wooden box	4
Mimic Panel in Aluminium extrusion	5
BHU & H07 Hand held unit	6
BHU & H05 Hand held unit	7
BHU & H02 Hand held unit	8
BHU & Pear push	9
Overdoor lights	10
Latching Push buttons	11
Bathroom Reset units	12
Pull cord units	13
• Wiring Diagrams	14
2 Bed with bathroom (With Emergency)	15
4 Bed wiring (Without Emergency)	16
Connector board wiring	17
Impulse pull cord wiring	18
Junction box wiring	19
Cable reticulation & TV audio wiring	20
TV audio wiring	21 & 22

EQUIPMENT

Installation & Operation	2 & 3
Mimic Panel in wooden box	4
Mimic Panel in Aluminium extrusion	5
BHU & H07 Hand held unit	6
BHU & H05 Hand held unit	7
BHU & H02 Hand held unit	8
BHU & Pear push	9
Overdoor lights	10
Latching Push buttons	11
Bathroom Reset units	12
Pull cord units	13

GENERAL DESCRIPTION

The system allows a patient to call a Nurse for assistance, from a bed, toilet or bathroom unit.
Ideal for Hospitals, Day Clinics, Old Age Homes and Frail Care Centres.

FEATURES

Nurse Call.
Emergency Call (optional).
Large Reassurance Lamp.
Pear Push Socket.
Easily Cleaned.
Duct or Surface Mount.
Pull Cords.
Large Over Door Lamps.
Lamp or Mimic Panel Indication.
Buzzer or Chimes Call Tone.

INSTALLATION

A typical system would consist of a Lamp Panel and Power Supply at the Nurses Station, and Call Units at the beds, bathrooms and toilets. Outside the Ward and Bathrooms in the passage would be an Over Door Lamp.

The central P.S.U. provides 24V DC to the Lamp Panel. O/D Lamps and all the Call Units.

WIRING

The bed, bath and toilet units connect to the same leads as described below. The units have various termination points indicated on the P.C.B.

- + = +24V DC from the P.S.U. (com.)
- = GND from the P.S.U. (com.)
- L = Call line to the LED on the Lamp Panel.
- O = Enable line to the O/D lamp in passage (com.)
- O = Enable line to the O/D lamp in the Ward. Only used when the unit is in a bathroom in the Ward. (com.)
- E = Emergency Call line from each Ward to the Emergency P.C.B. at the Nurses Station. Only used when the system has emergency call. (com.).

(Com.) indicated that the line is common to all beds in a ward or all the units in a bathroom or toilet.

The Over Door Lamp is connected between the positive line of the P.S.U. and the 'O' connection of the Call Units.

The Lamp Panel LEDs negative side is connected via a resistor to the 'L' connection of the Call Units. The positive side of LED'S are all commoned to the +LED output of the buzzer (chime) PCB.

The Buzzer PCB has three connections indicated on the solder side of the buzzer PCB.

- + (large) = + 24V DC from the P.S.U.
- = GND from P.S.U.
- + (small) = +Common positive to the positive side of all the LED on the Lamp Panel.

The Emergency Buzzer PCB also has 11 connections down the side of the PCB. Each connection must be connected to the E line of the beds and bathroom / toilet units of an individual ward. This input switches off the normal Call buzzer and switches on the emergency Call buzzer when a Emergency Call is made in any Ward.

OPERATION

NORMAL NURSE CALL:

When a Normal Call is made from a bed, bathroom or toilet the following happens :

The Reassurance Lamp lights up at the unit.
The Over Door Lamp lights up in the passage.
The Led on the Lamp Panel lights up.
The Buzzer at the Lamp Panel turns on.

The Call can only be cancelled by pressing the cancel button on the unit that initiated the Call.
All functions return to normal.

EMERGENCY CALL:

This feature only applies to systems with Emergency. When a Emergency Call is made from a bed, bathroom or toilet the following happens.
The Reassurance Lamp flashes at the bed.
The over Door Lamp flashes in the passage.
The LED flashes on the Lamp Panel.
The Emergency Buzzer flashes.
The Emergency Call can only be cancelled by pressing the cancel button on the unit that initiated the Call.
All functions return to normal.

Please note, a bed unit can have normal call only or normal and emergency call. Normal call on the the pear push or HHU (hand held unit) and emergency call from the bed head unit. A bathroom or toilet can only have either normal or emergency call.

MIMIC PANEL:

The "EMERGENCY" push button on the mimic enables the buzzer and LED light on all the other mimic panels when pressed
The "NIGHT" push button reduces the chimes volume.
The "LAMP TEST" push button enables all the LED's for testing purposes

SPECIFICATION

CALL CANCEL UNIT :

Power Requirement.

24V DC @ 30 mA. Idle state.
and 80 mA. operated.

The Over Door output can drive two 2/3 watt 24V globes.

The Lamp Panel output can drive two LEDs.

Call Button.

Cancel Button.

Reassurance Lamp.

Pear Push socket.

Duct Mount.

Standard 4x4 or 4x2 Mounting.

POWER SUPPLY :

Input is 220 / 50 VAC selectable with 1 amp. fuse protection. Output is 24V DC 100VA max. 2 amp continuous load, 5 amp fuse protection.

The input and output is lightning protected.

OVER DOOR LAMP:

Festoon Lamp 24V 2 / 3 watt.

Red Prism shaped Lens.

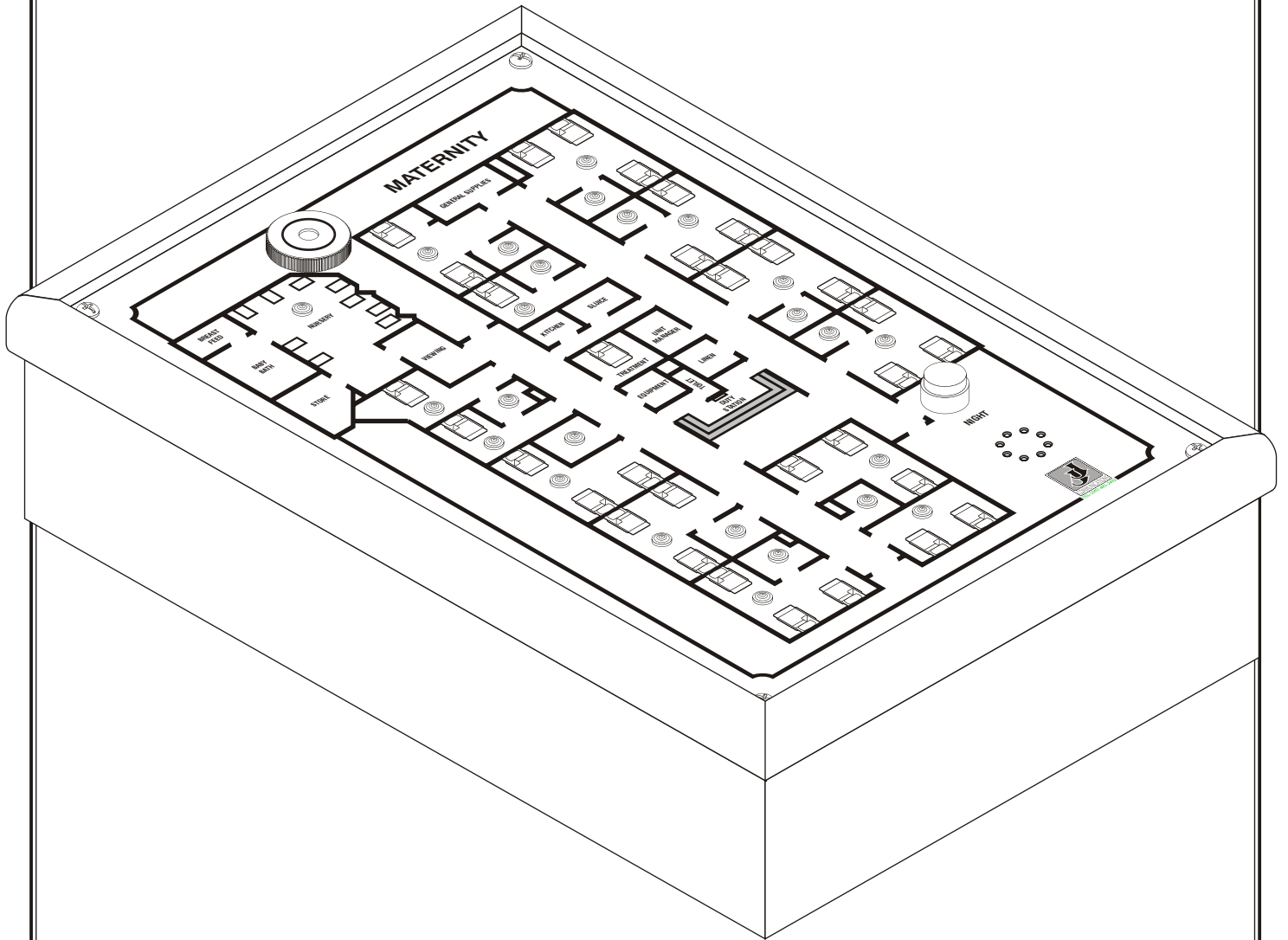
One side always common to positive.

2 High-bright red LEDs.

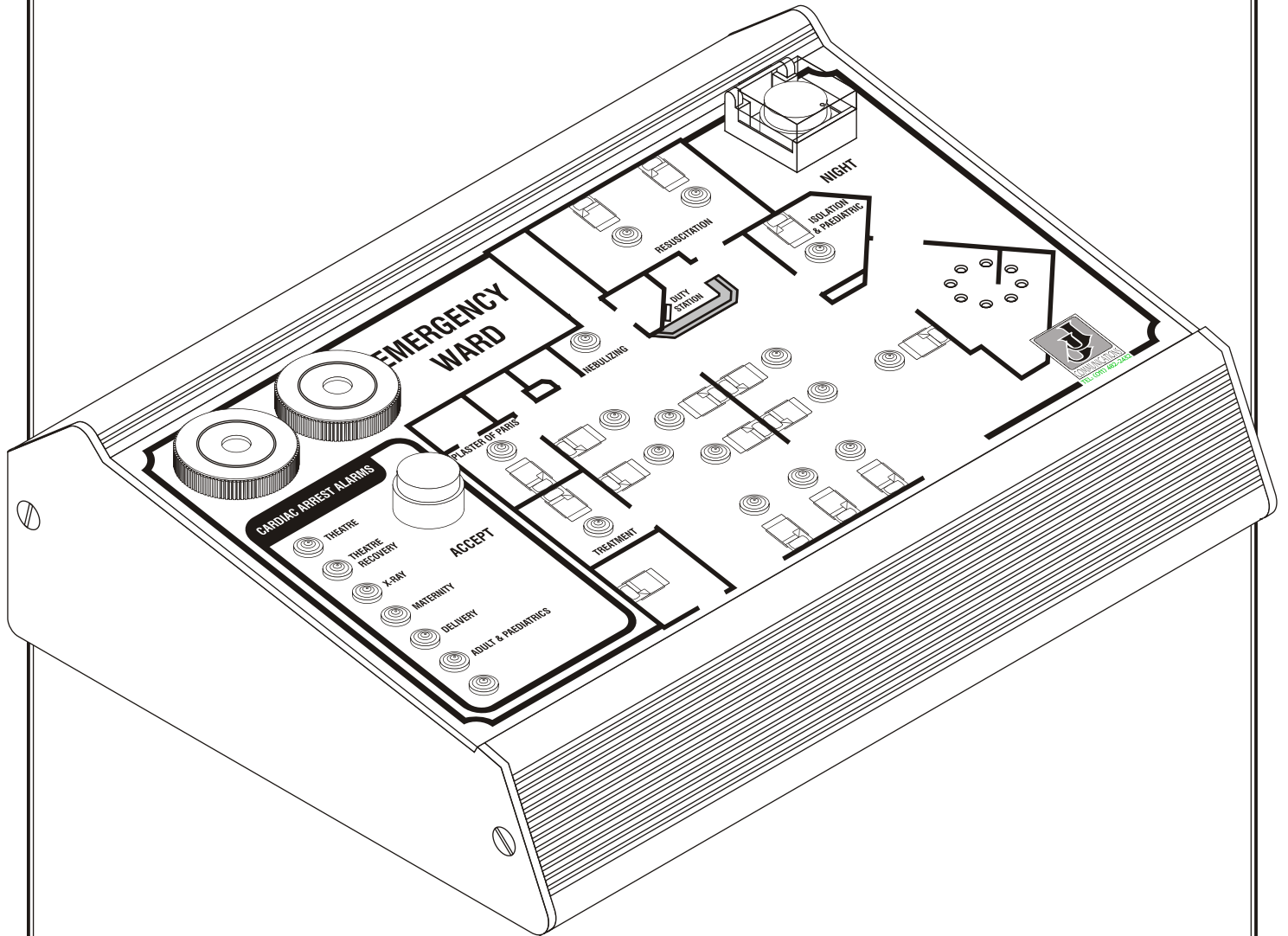
White dome shaped lens.

Resistor protected for 24V '.

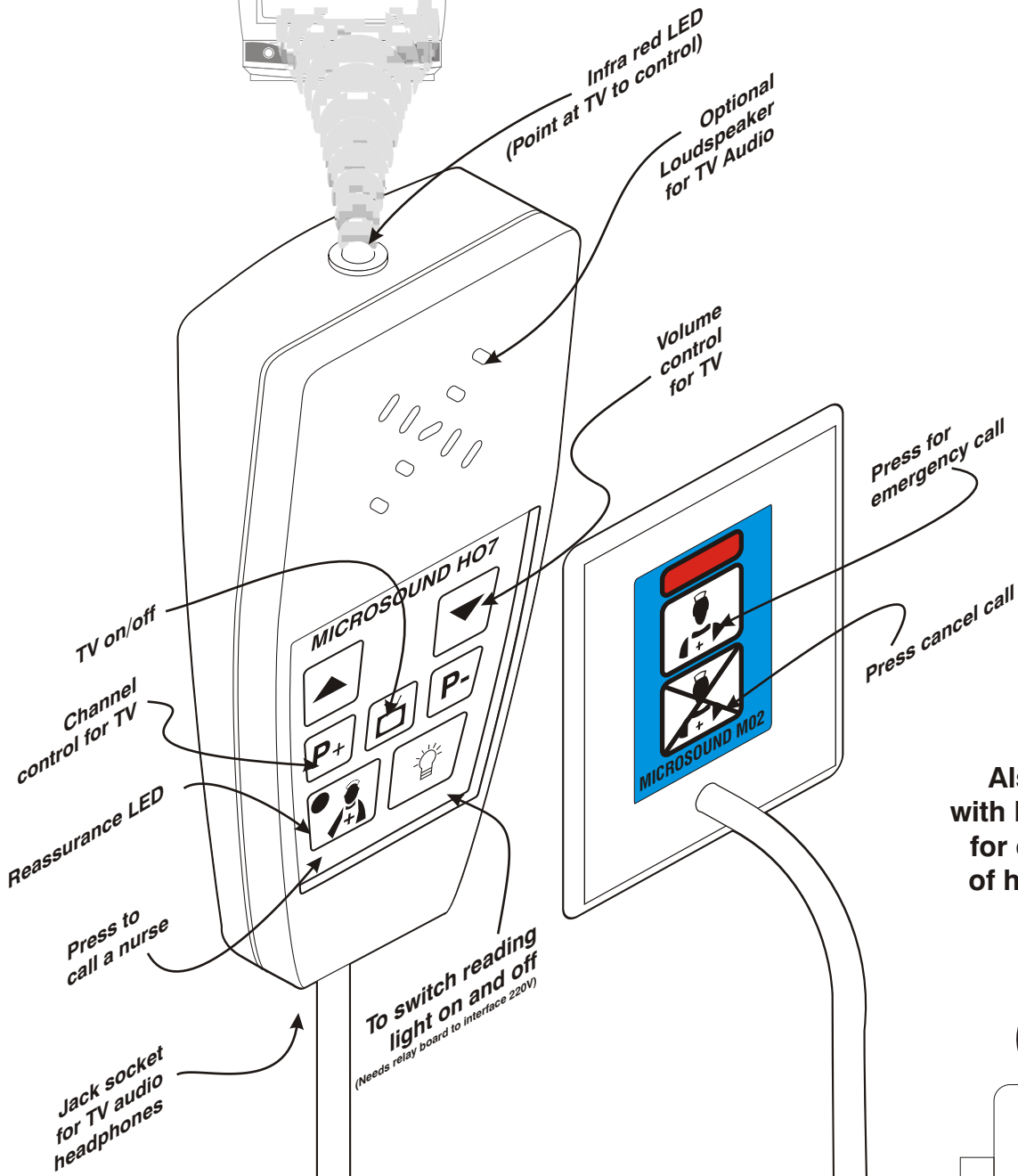
MIMIC PANELS



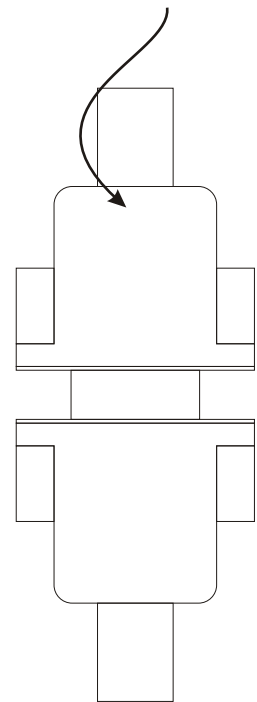
MIMIC PANELS



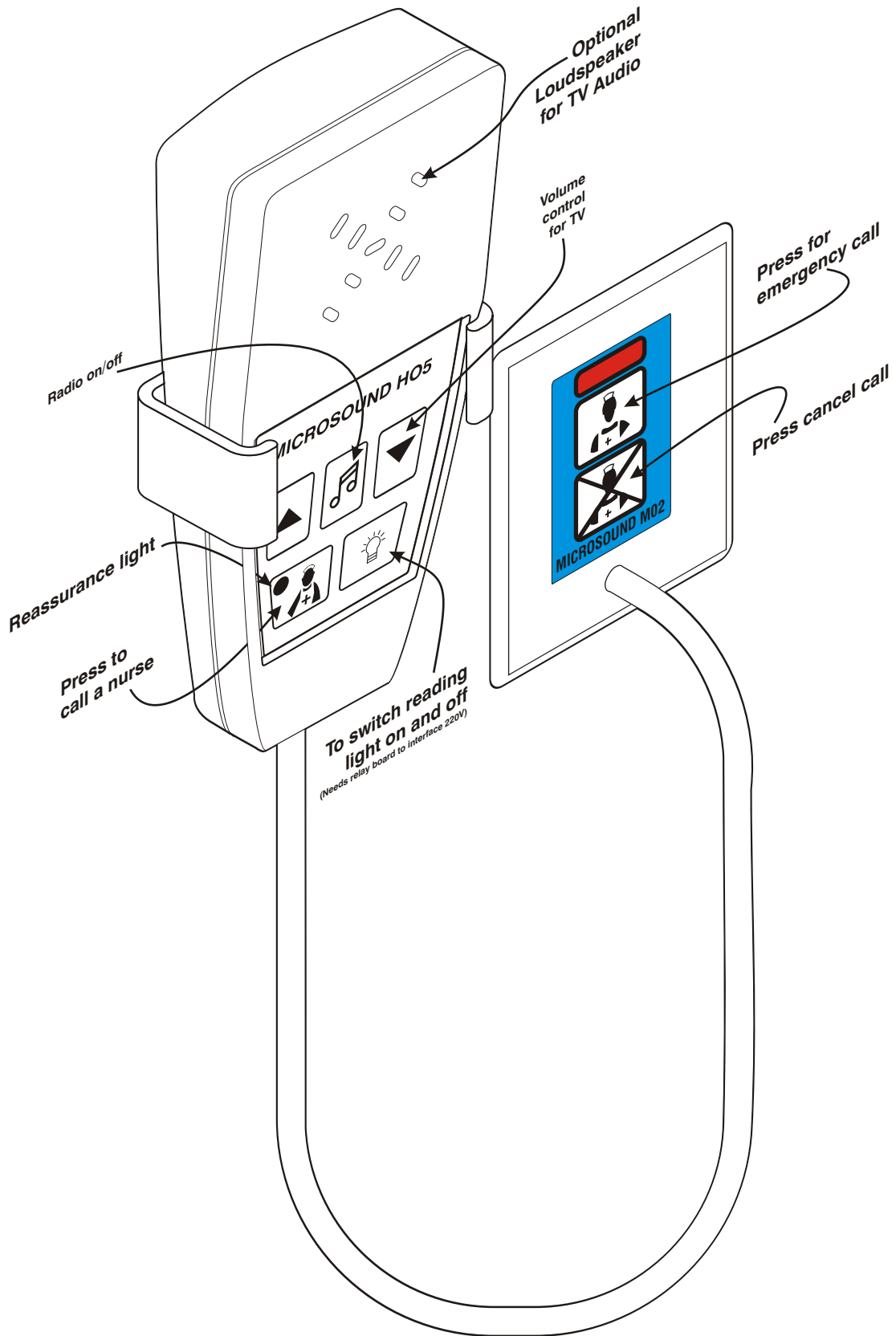
BEDHEAD & HO7 HAND HELD UNIT WITH TV CONTROL



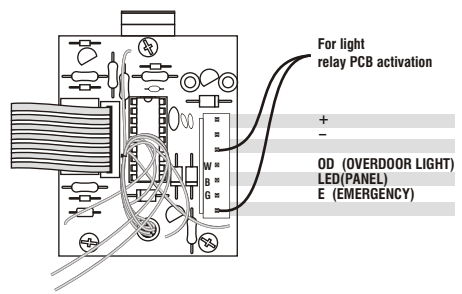
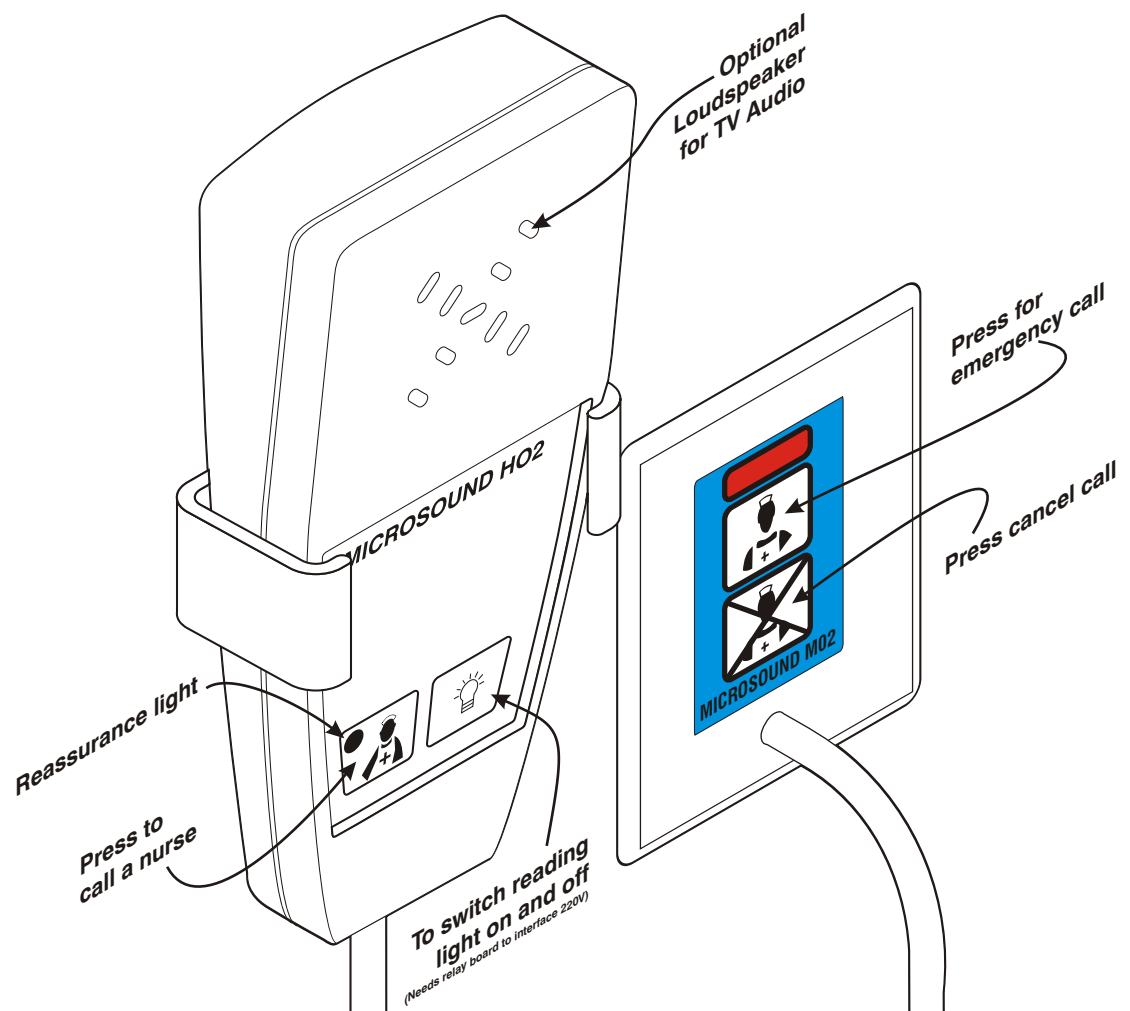
Also available
with DB9 connector
for easy removal
of hand held unit



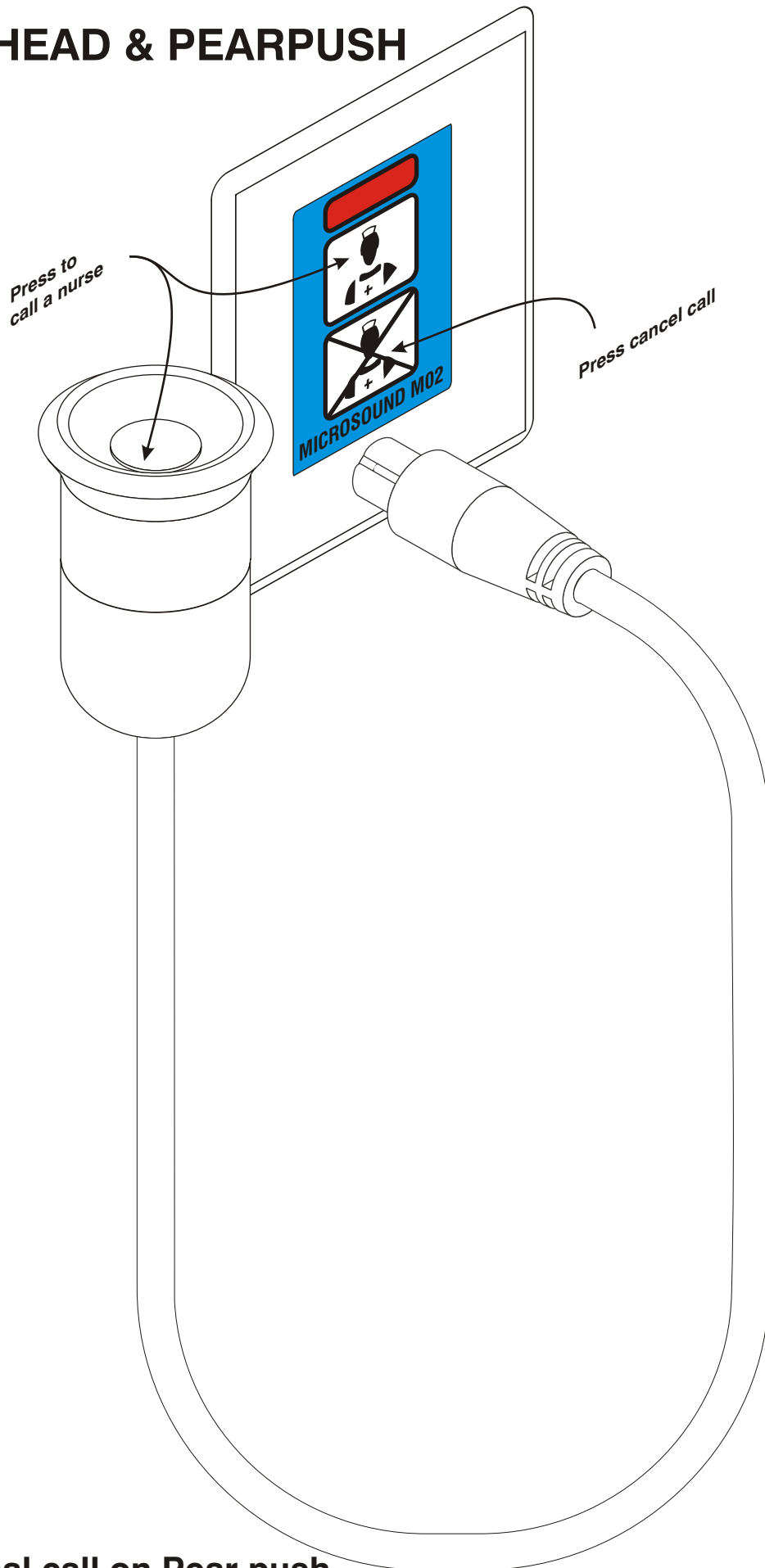
BEDHEAD & HO5 HAND HELD UNIT WITH MUSIC SELECTION



BEDHEAD & HO2 HAND HELD UNIT WITH BEDLIGHT SWITCH

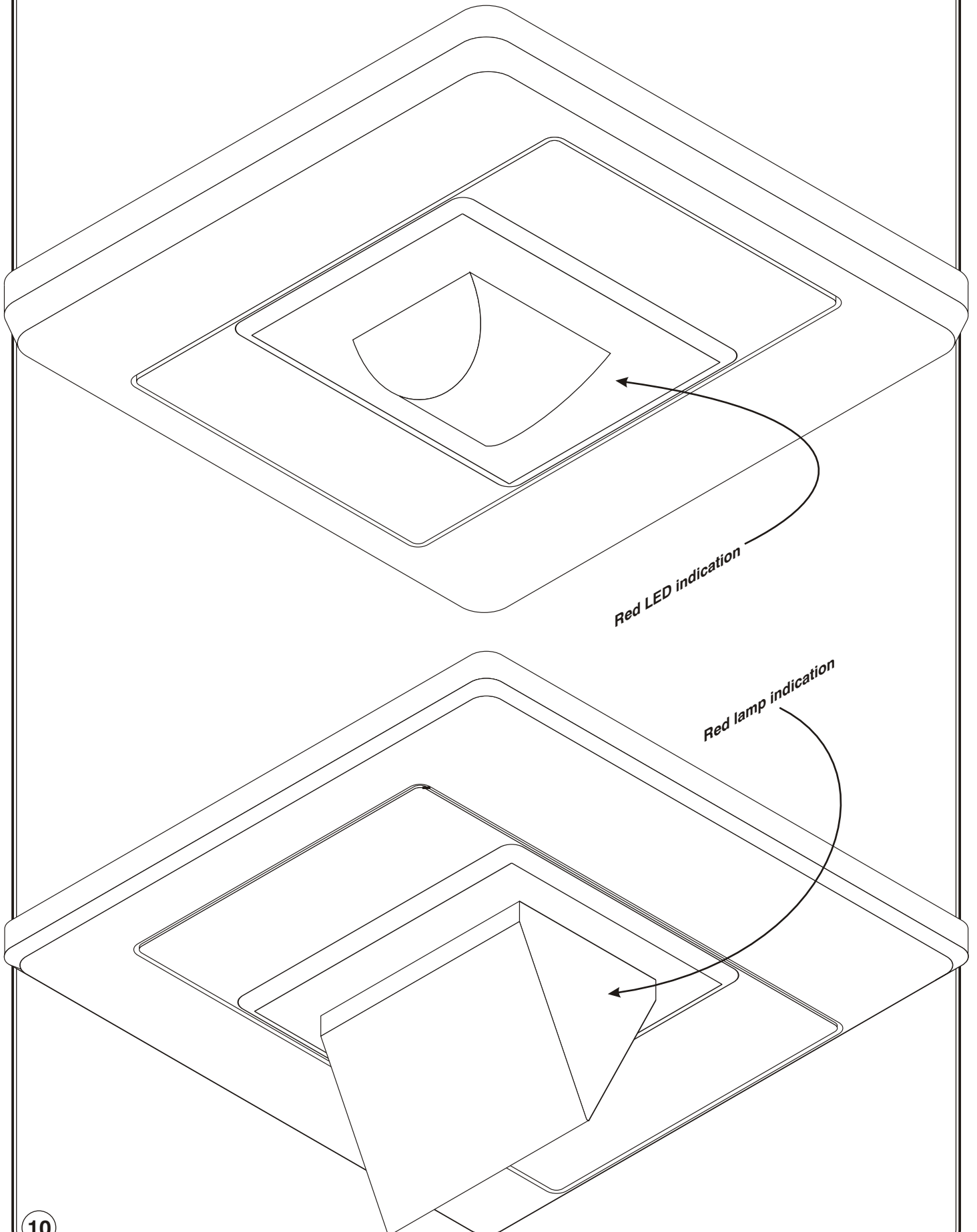


BEDHEAD & PEARPUSH

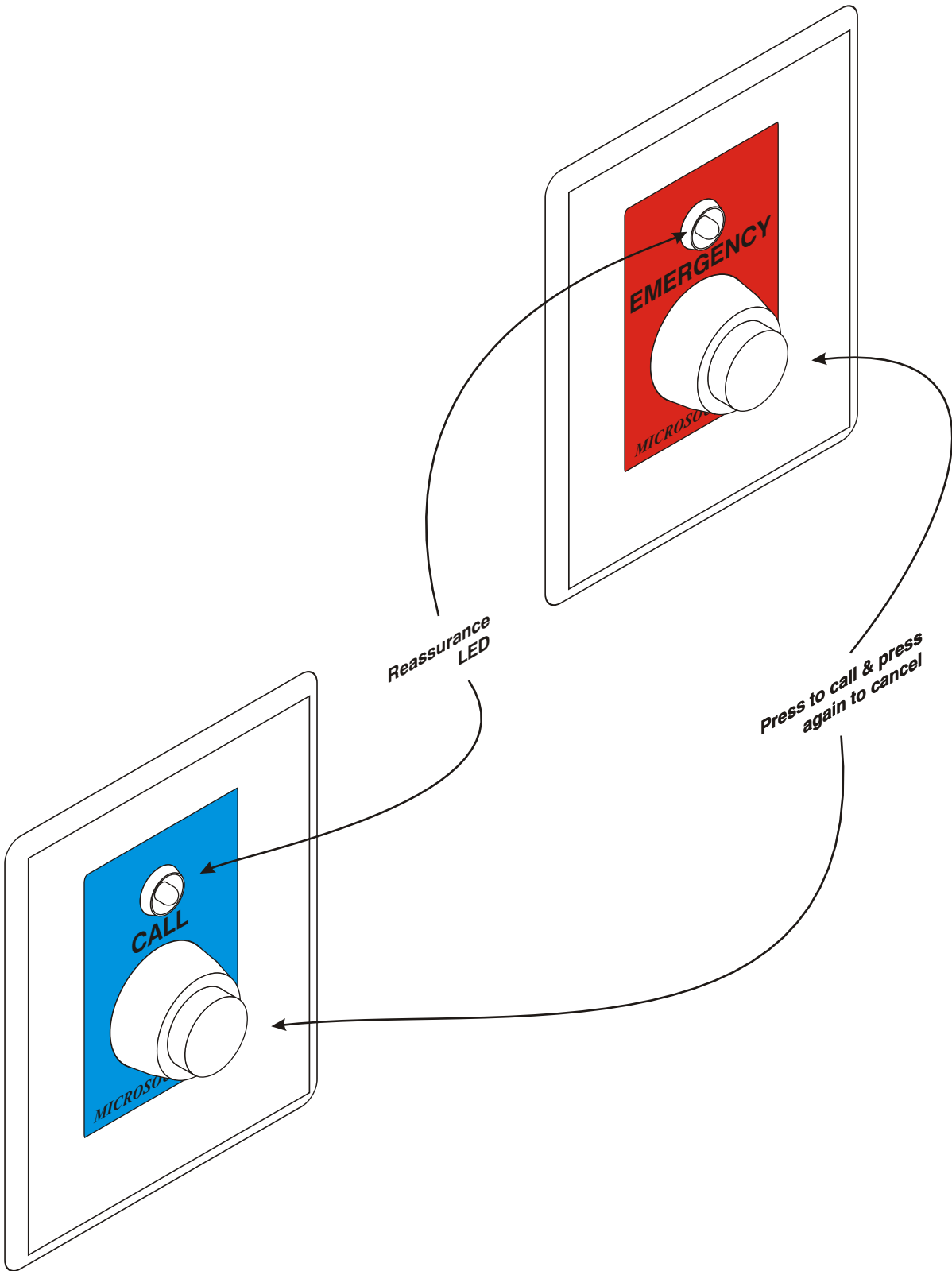


Normal call on Pear push
Emergency call on bed head unit

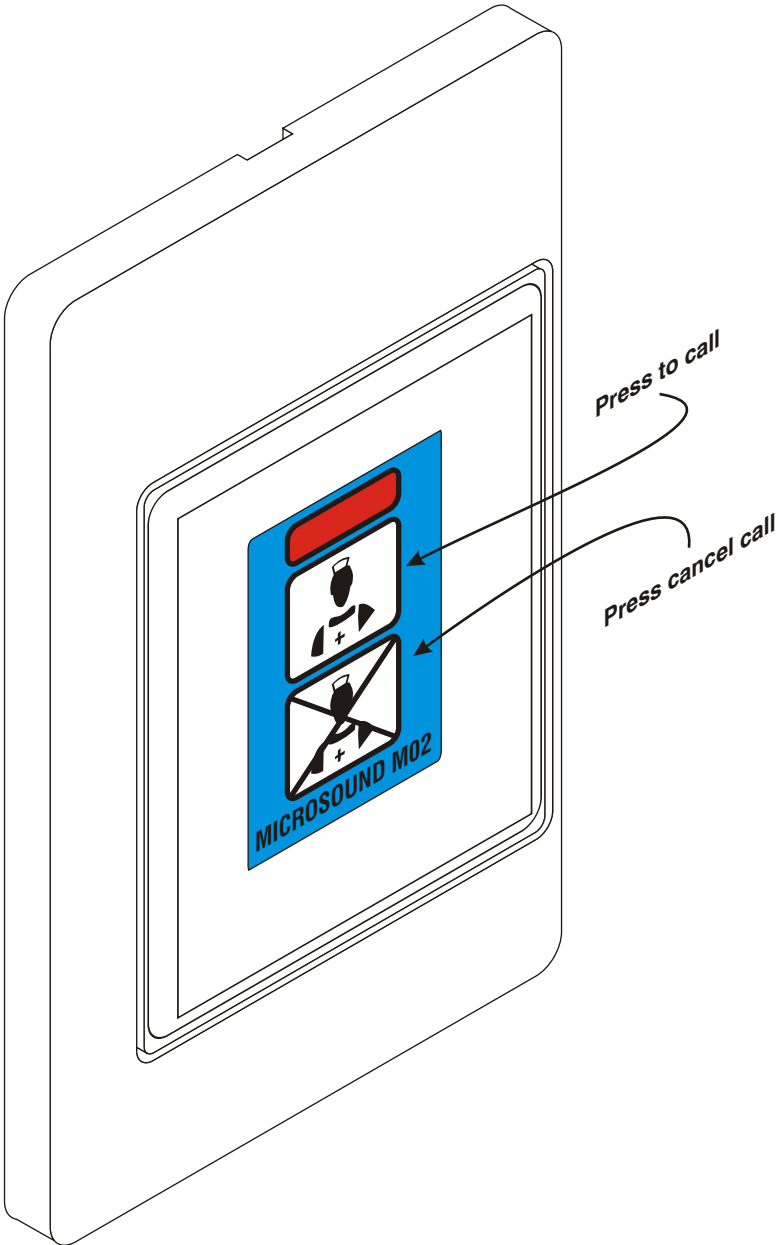
OVER DOOR LIGHT



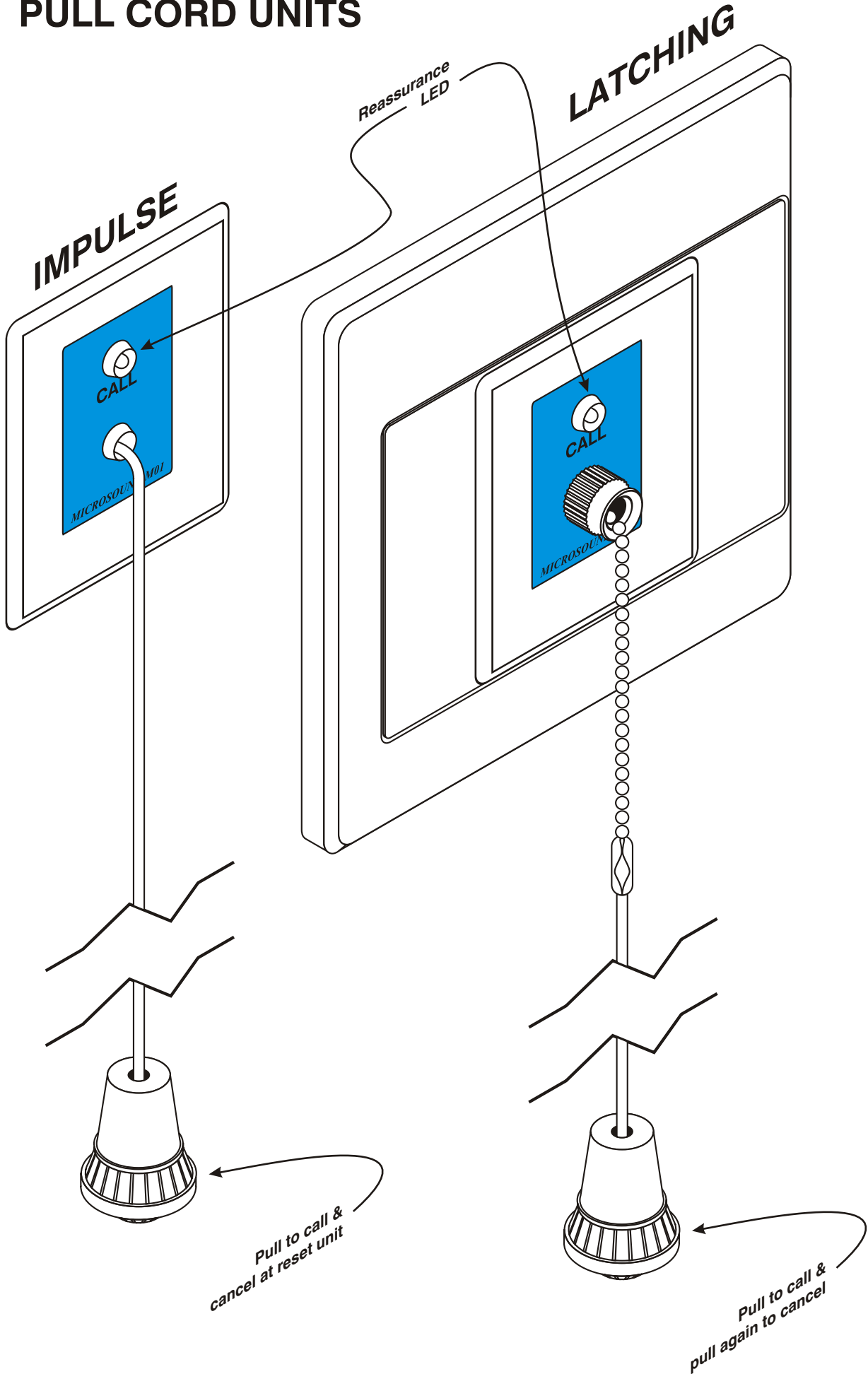
LATCHING PUSHBUTTONS



BATHROOM RESET UNIT



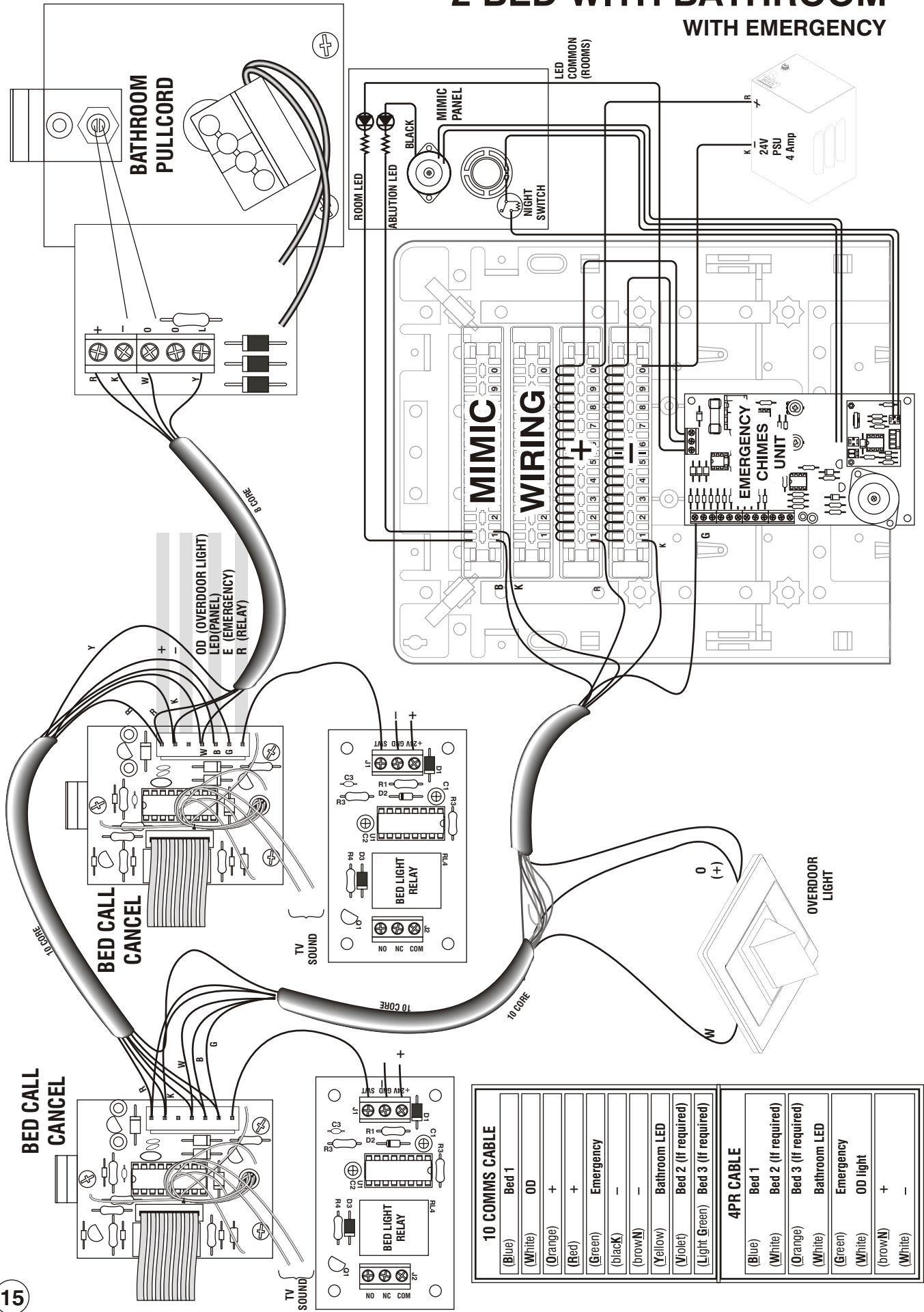
PULL CORD UNITS



WIRING DIAGRAMS

2 Bed with bathroom (With Emergency)	15
4 Bed wiring (Without Emergency)	16
Connector board wiring	17
Impulse pull cord wiring	18
Junction box wiring	19
Cable reticulation & TV audio wiring	20
TV audio wiring	21 & 22

2 BED WITH BATHROOM WITH EMERGENCY

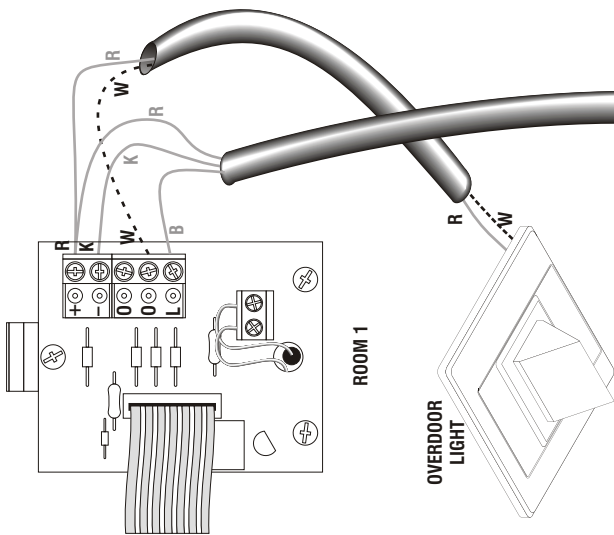
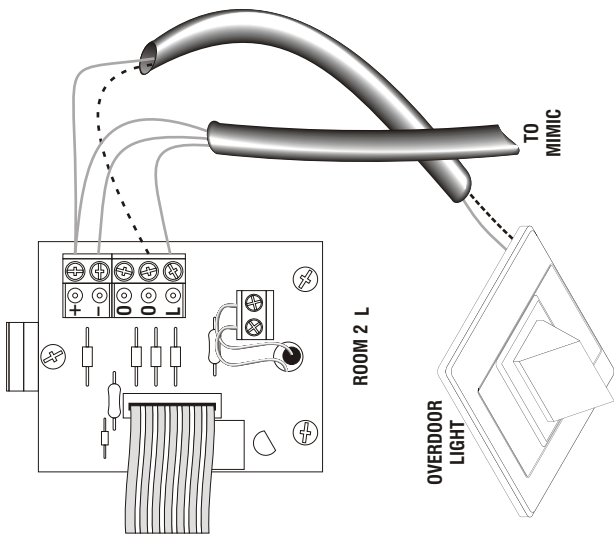
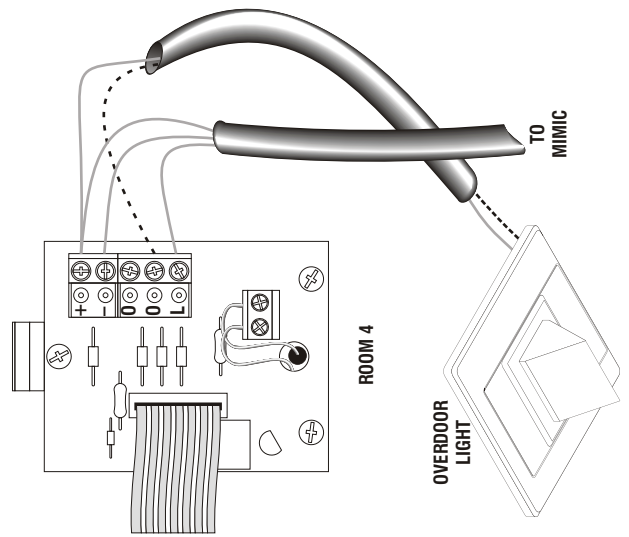
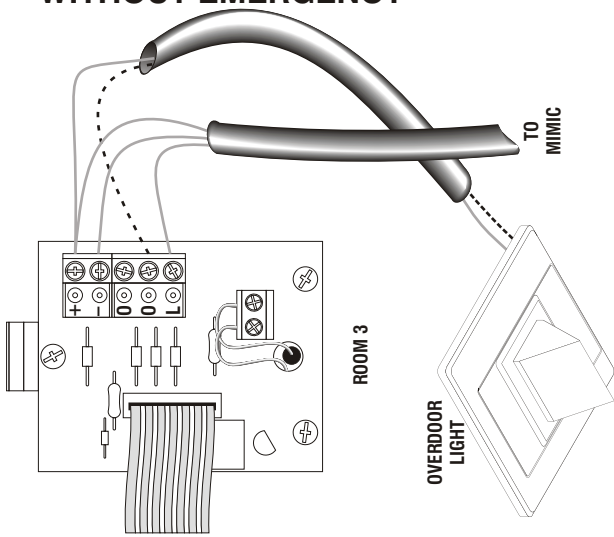


10 COMMS CABLE	
(Blue)	Bed 1
(White)	OD
(Orange)	+
(Red)	+
(Green)	Emergency
(black)	-
(brown)	-
(Yellow)	Bathroom LED
(Violet)	Bed 2 (If required)
(Light Green)	Bed 3 (If required)

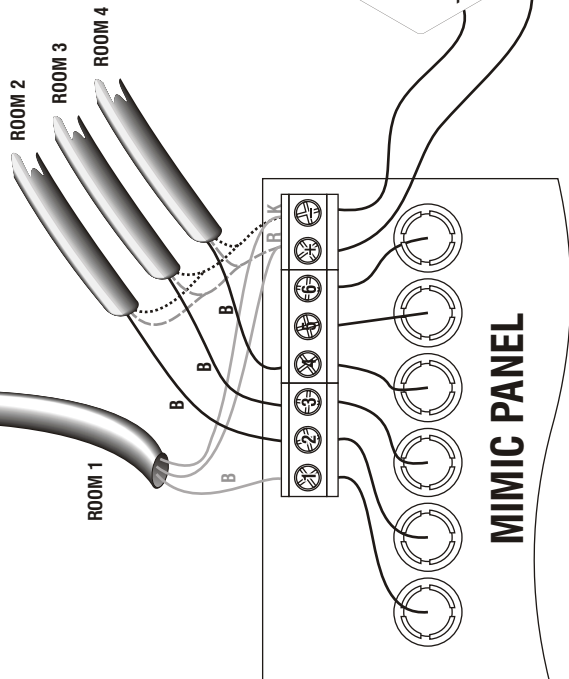
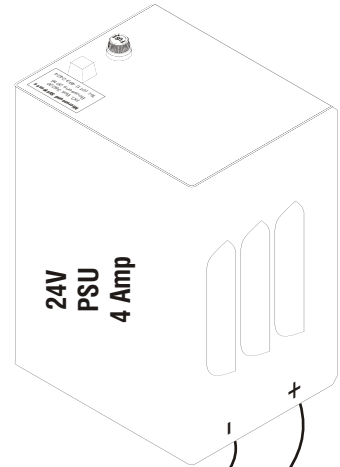
4PR CABLE	
(Blue)	Bed 1
(White)	Bed 2 (If required)
(Orange)	Bed 3 (If required)
(White)	Bathroom LED
(Green)	Emergency
(White)	OD light
(brown)	+
(White)	-

**DIAGRAM
WIRING**

**4 BED WIRING
WITHOUT EMERGENCY**

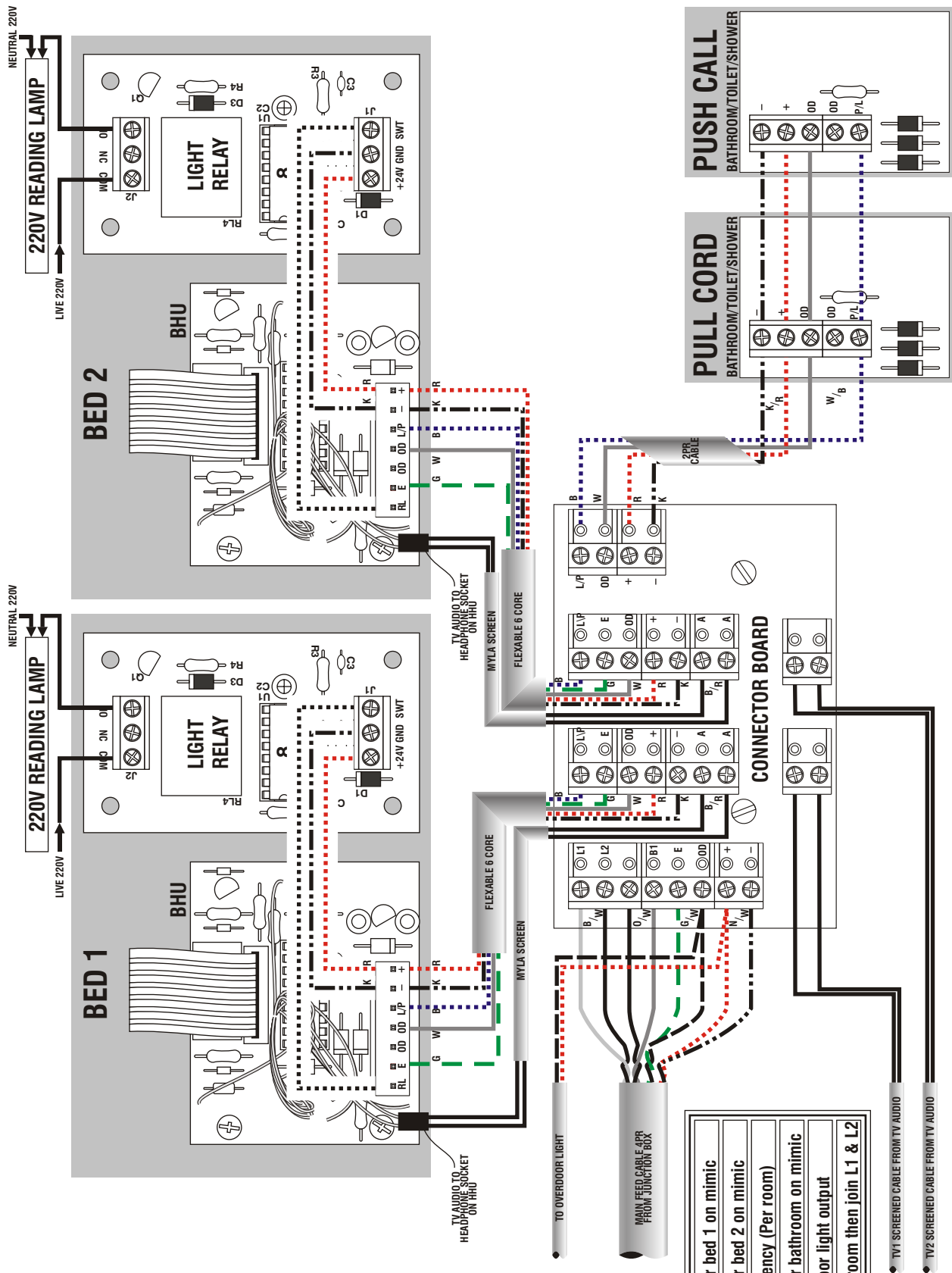


LEGEND	
Black	K
White	W
Blue	B
Red	R



CONNECTOR BOARD WIRING

2 BED WITH BATHROOM WITH EMERGENCY



LEGEND	
Black	K
White	W
Blue	B
Red	R
Green	G
Brown	N
Yellow	Y
Orange	O
Pink	P
Violet	V
L1	LED for bed 1 on mimic
L2	LED for bed 2 on mimic
E	Emergency (Per room)
B1	LED for bathroom on mimic
OD	Overdoor light output
NB: If LED per room then join L1 & L2	

DIAGRAM
WIRING

IMPULSE PULL CORD WIRING WITH RESET UNIT

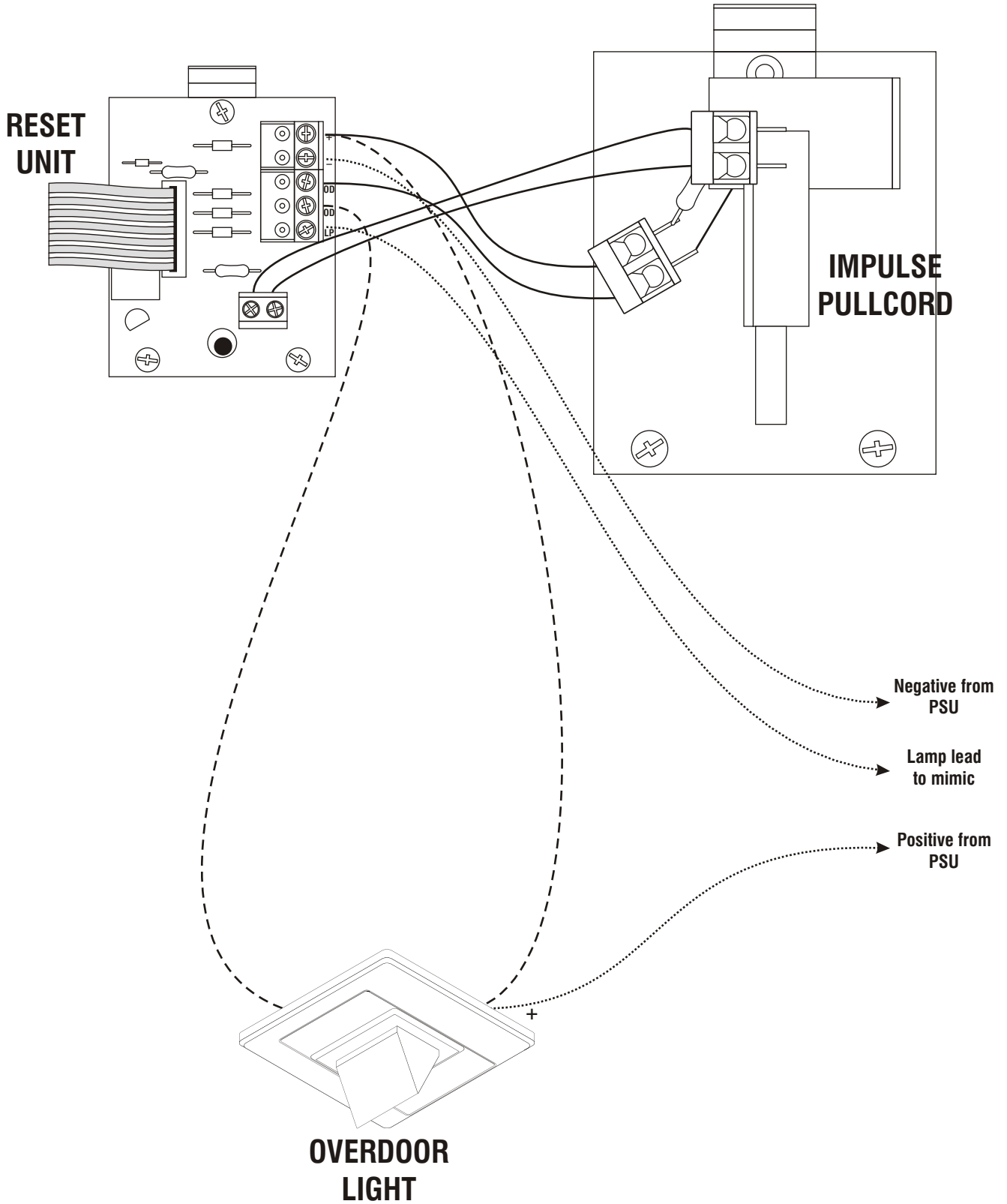
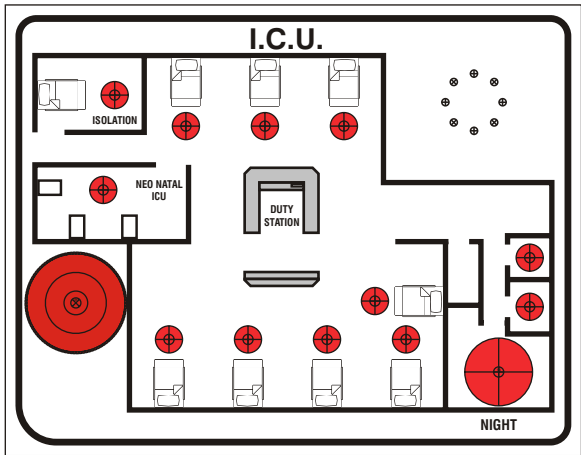


DIAGRAM
WIRING

JUNCTION BOX WIRING WITH EMERGENCY

Black	K
White	W
Blue	B
Red	R
Green	G
Brown	N
Yellow	Y
Orange	O
Pink	P
Violet	V



MIMIC
PANEL

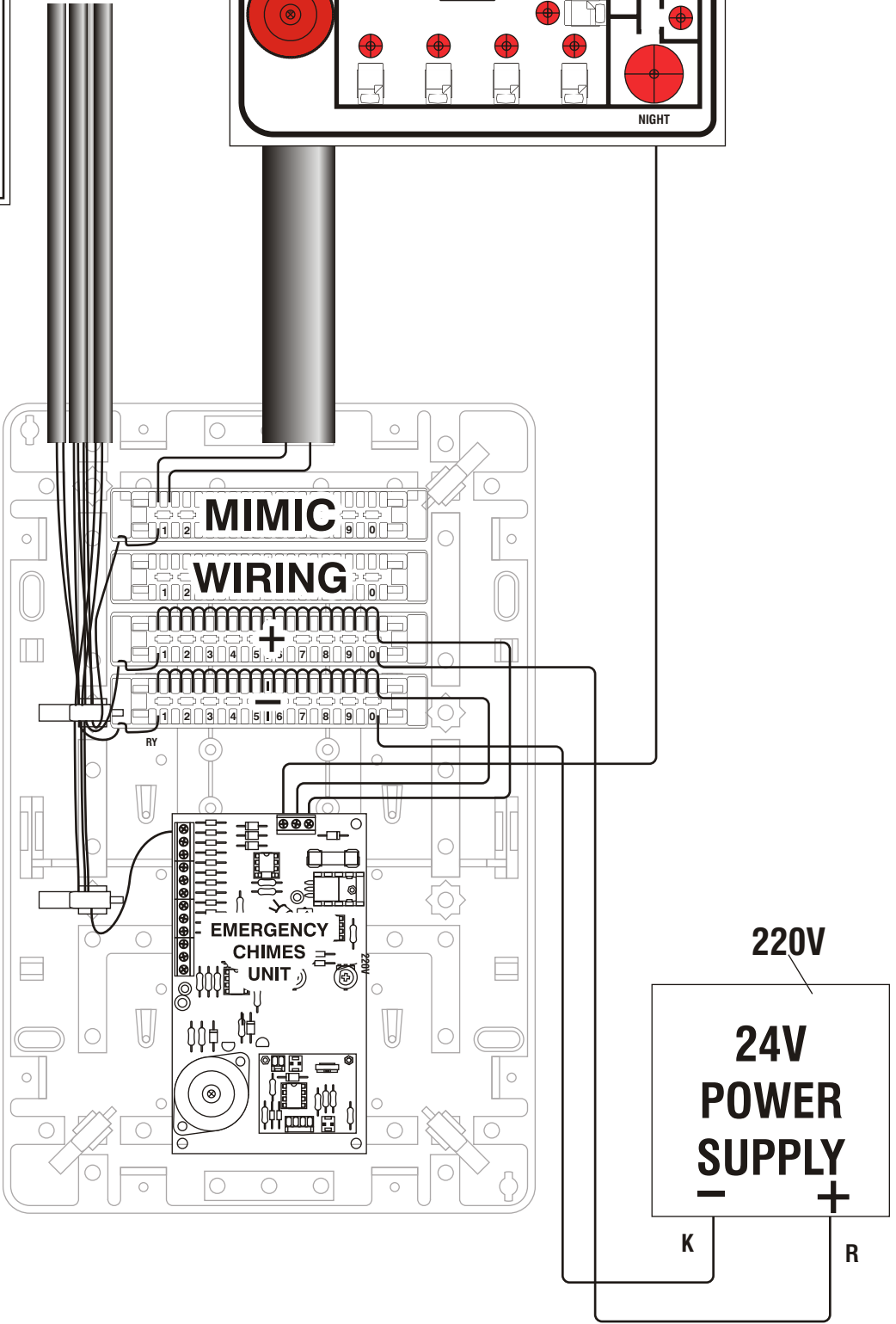


DIAGRAM
WIRING

CABLE RETICULATION & TV AUDIO WIRING

2 BED SIDE VIEW

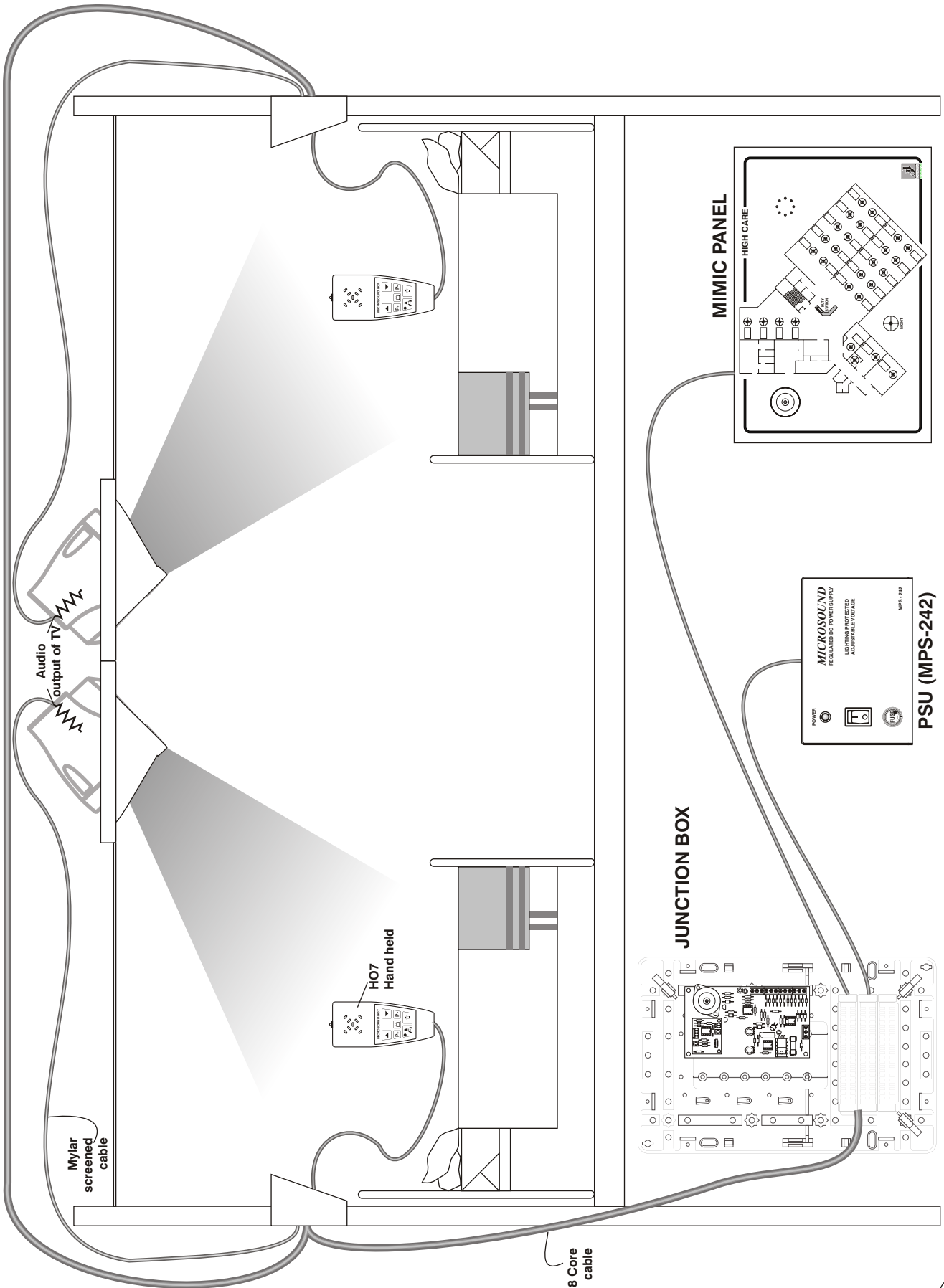


DIAGRAM
WIRING

TV AUDIO WIRING

4 BED (2TV) TOP VIEW

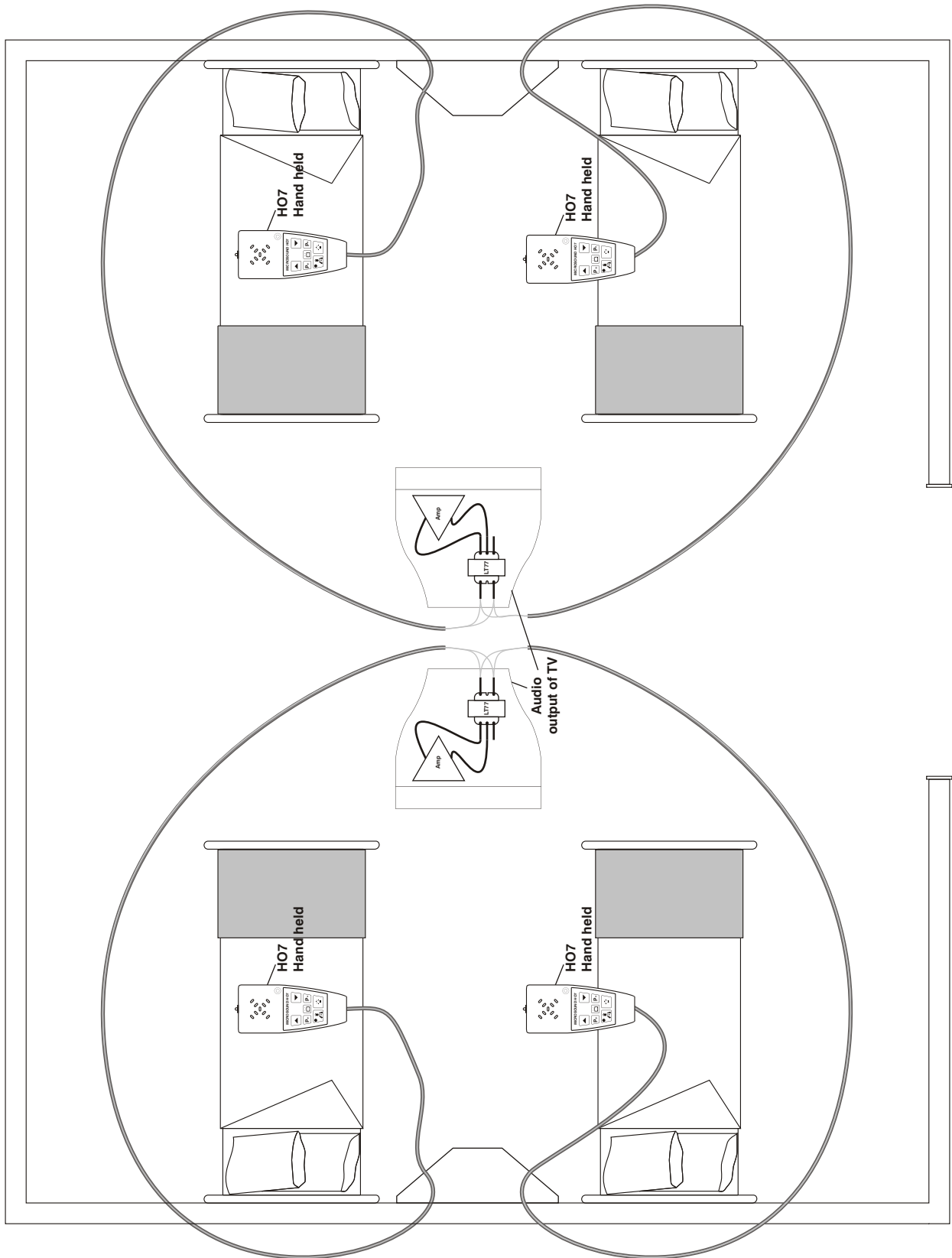
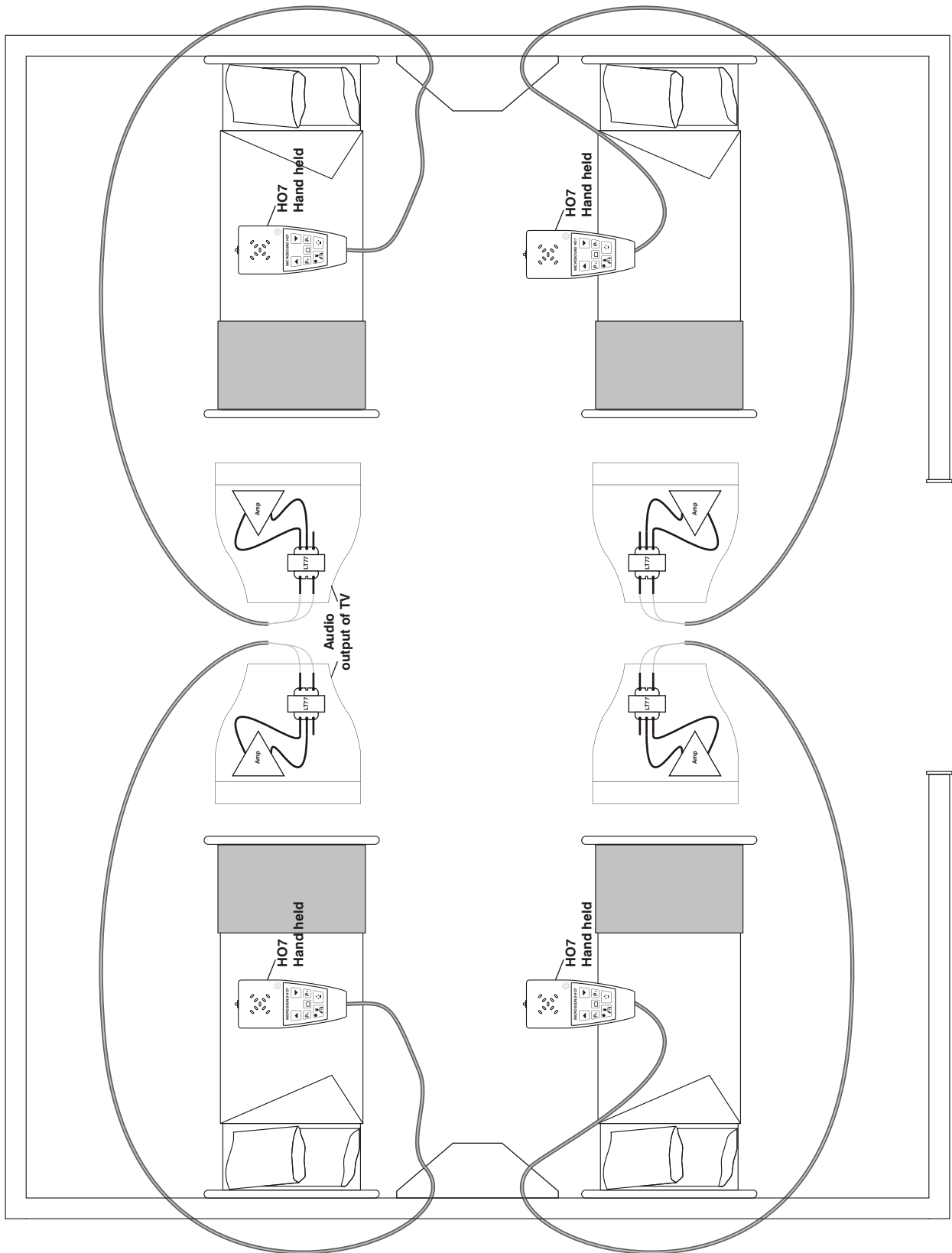


DIAGRAM
WIRING

TV AUDIO WIRING

4 BED (4 TV) TOP VIEW



Contact Details